

VCX03

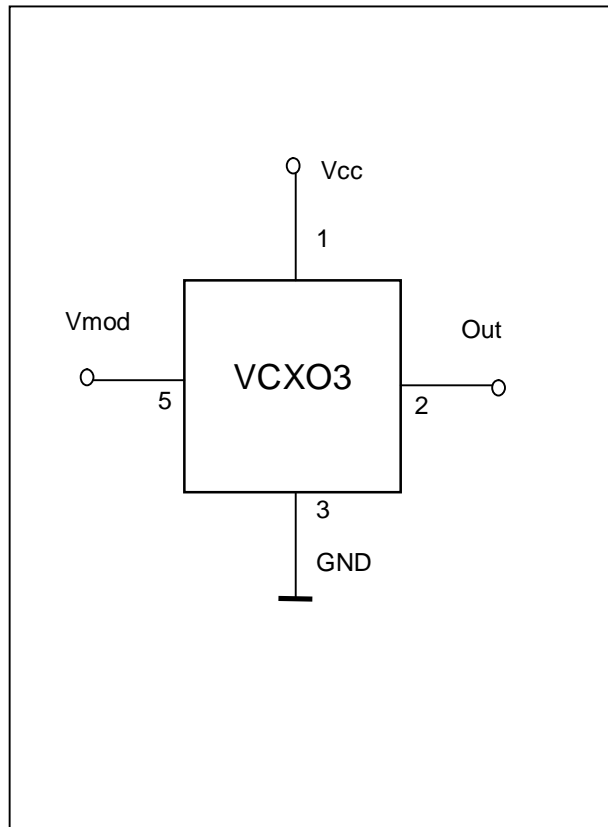
VOLTAGE CONTROLLED CRYSTAL OSCILLATOR



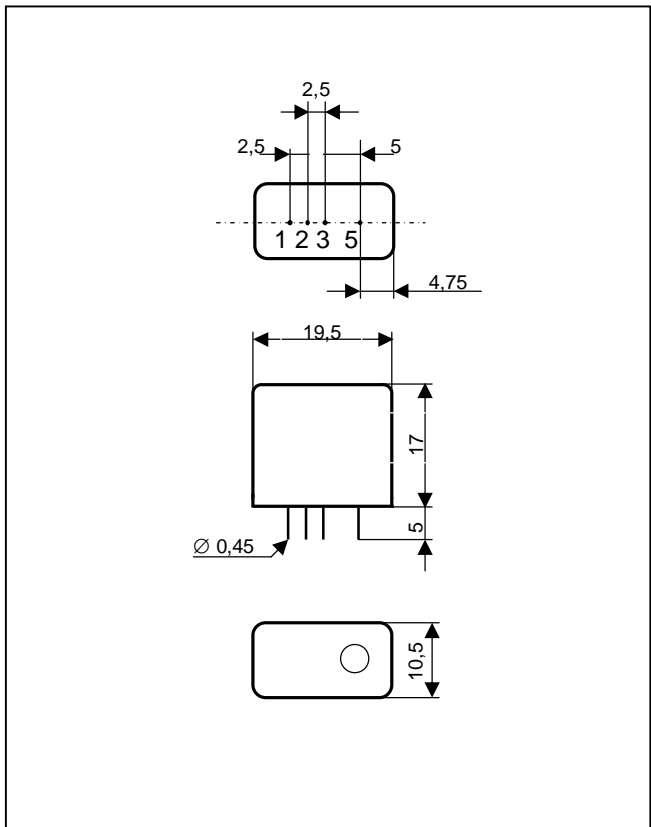
Characteristics

Type	HC 3103
Frequency range	6 - 30 MHz
Supply voltage	5V \pm 5%
Supply current	25 mA
Frequency stability with temperature 0°C to +70°C	\pm 35 ppm
Frequency stability with supply voltage	\pm 8 ppm
Pulling voltage	0,5 to 4,5V
Frequency adjustment	\pm 100 ppm
Waveform	TTL

Connections



Outline drawing



Note

Modification of this type is available.