

VCXO2

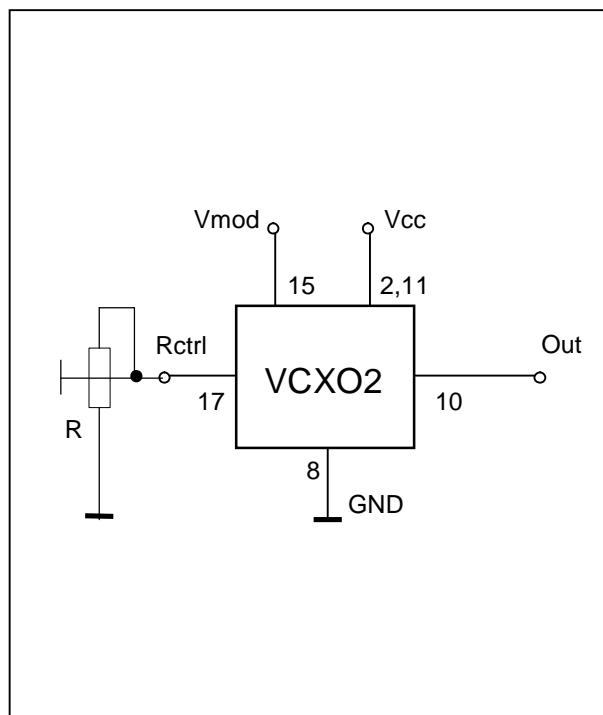
VOLTAGE CONTROLLED CRYSTAL OSCILLATOR



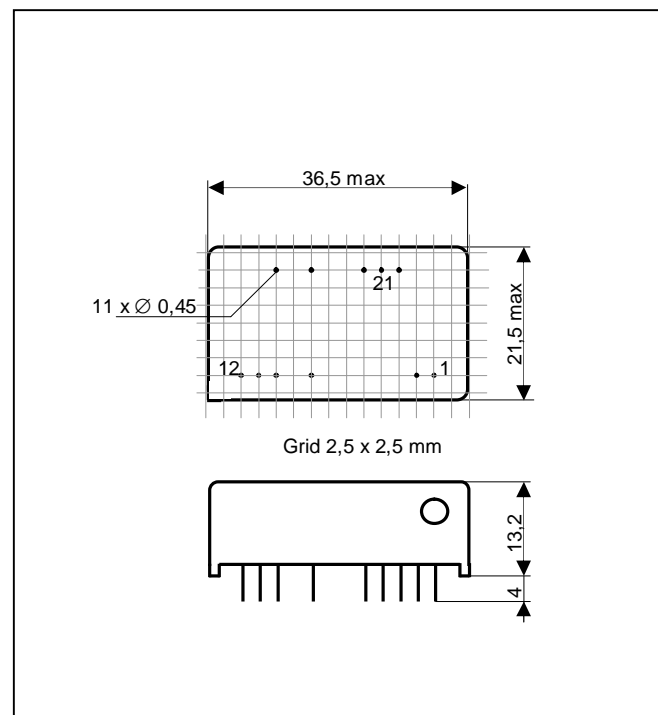
Characteristics

Type	HC 3101	HC 3102
Frequency range	6 - 10 MHz	10 - 26 MHz
Supply voltage		9V ± 2%
Supply current		5,5 mA
Frequency stability with temperature -25°C to +65°C	± 25 ppm	± 20 ppm
Frequency stability with supply voltage		± 5 ppm
Frequency stability using R (see Connections)		± 200 Hz
Output voltage		450 mV _{pp}
Load		680 Ohm
Linearity with modulation 0,3 – 3 kHz	1,5 %	1,0 %
Pulling range		5 kHz
Pulling voltage	1,5 – 3V	0,7 – 2V
Waveform		clipped sinus

Connections



Outline drawing



Note

Modification of this type is available.