

VCTCX06

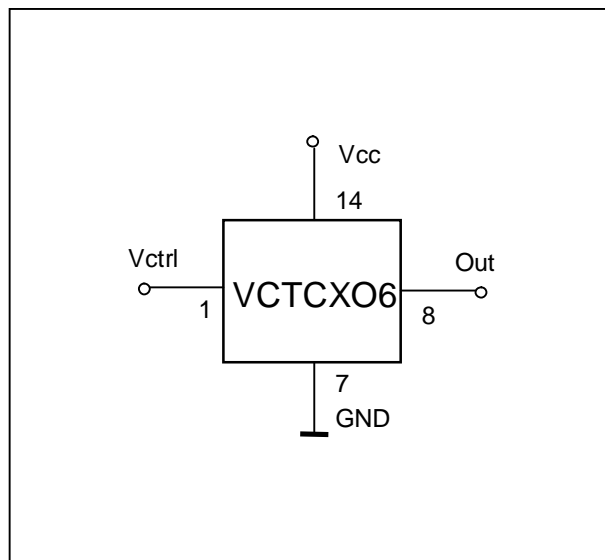
TEMPERATURE COMPENSATED CRYSTAL OSCILLATOR WITH HIGHER PULLABILITY



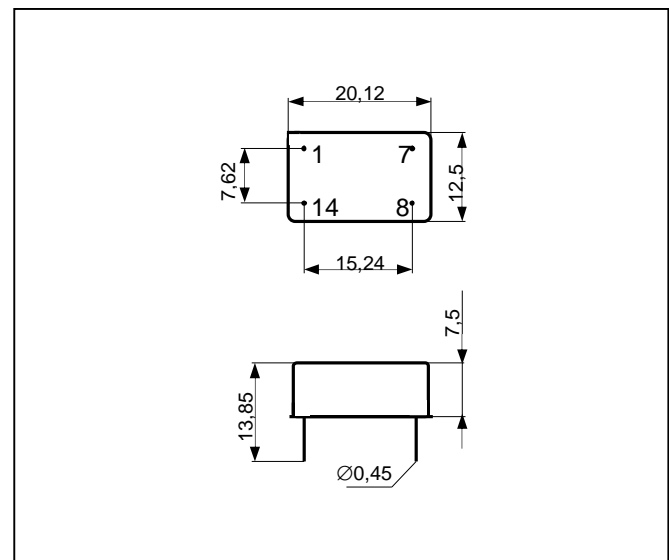
Characteristics

Type	HC 3104
Frequency range	4 - 30MHz
Supply voltage	5V \pm 10%
Supply current	3 mA
Frequency stability with temperature -25°C to +85°C	\pm 2,5 ppm
Long term stability with temperature (1 year)	\pm 1 ppm
Frequency stability with supply voltage	\pm 0,5 ppm
Frequency adjustment	V _{ctrl} + internal
Frequency adjustment internal	\pm 5 ppm
Pulling voltage	0,5 V to 4,5 V
Minimal frequency voltage offset at 0,5 V	-17 to -23 ppm
at 4,5 V	+17 to +23 ppm
Input impedance of control input	\geq 100 kOhm
Output voltage	450 mV _{pp}
Load	680 Ohm / 15pF
Waveform	clipped sinus

Connections



Outline drawing



Note

This oscillator is suitable for applications where good frequency stability in wide temperature range is needed together with low consumption. Possibility of wider frequency adjustment with this type.
Applications: reference frequency source for frequency synthesizer.