

# TCX08

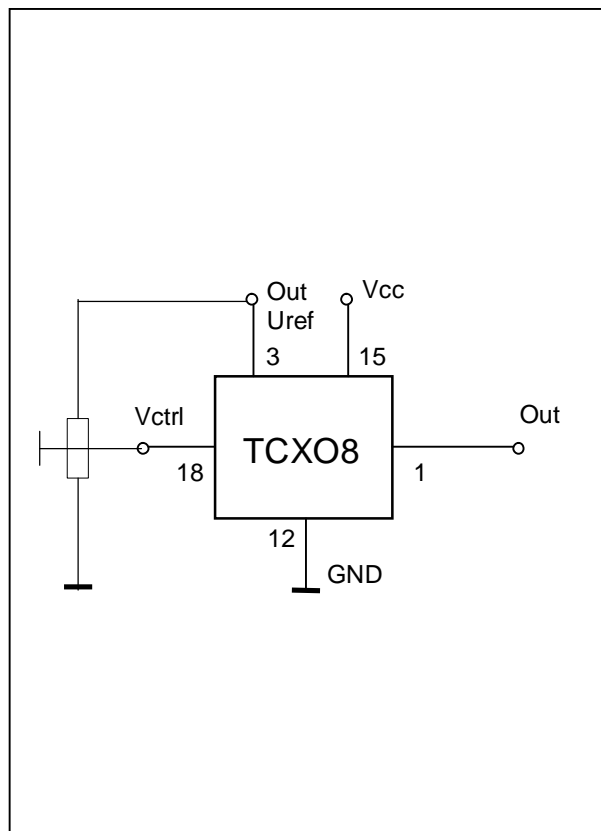
## TEMPERATURE COMPENSATED CRYSTAL OSCILLATOR



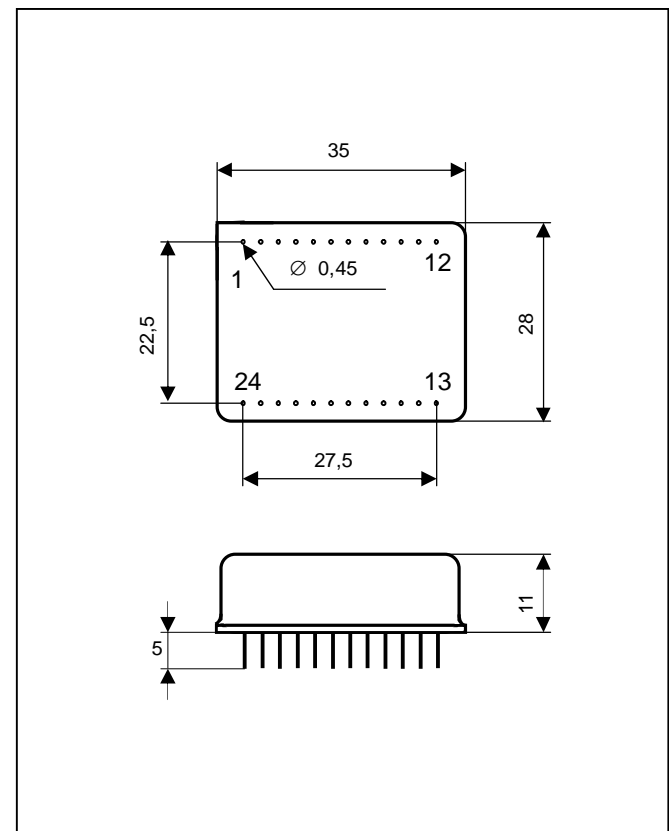
### Characteristics

Type	HC 3309
Frequency range	40 - 80 MHz
Supply voltage	5V -5%/+10%
Supply current	35 mA
Frequency stability with temperature -20°C to +70°C	±2,5 ppm
Long term stability (1year)	±1 ppm
Frequency stability with supply voltage	±0,2 ppm
Pulling voltage	0,5 to 4,5 V
Frequency adjustment	-2,5 ppm to +4 ppm
Waveform	TTL

### Connections



### Outline drawing



### Note

This oscillator is used in applications, where good temperature stability in wide temperature range and low power consumption is requested. Modification of this type is available.

Pins no.: 4,6,7,8,9,13,14 do not connect, pins no.: 10,11,12, 23 are connected to GND internally.