

# TCX06

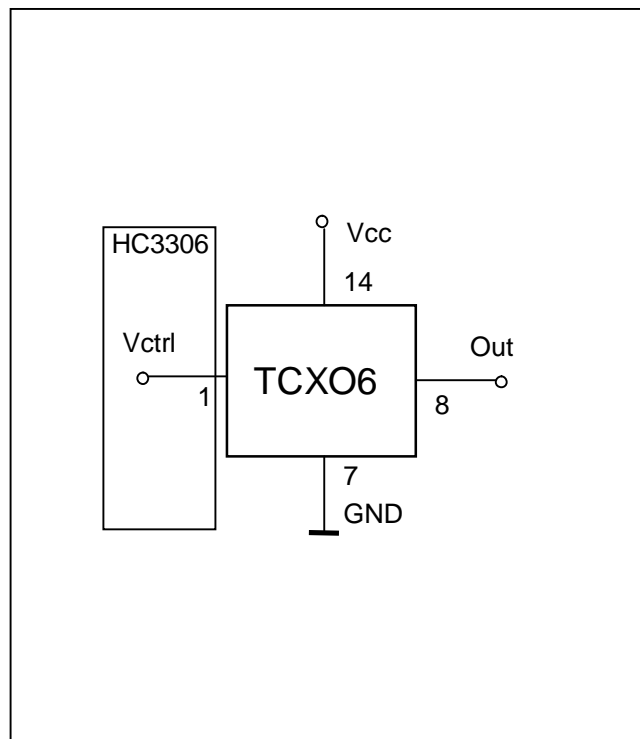
## TEMPERATURE COMPENSATED CRYSTAL OSCILLATOR



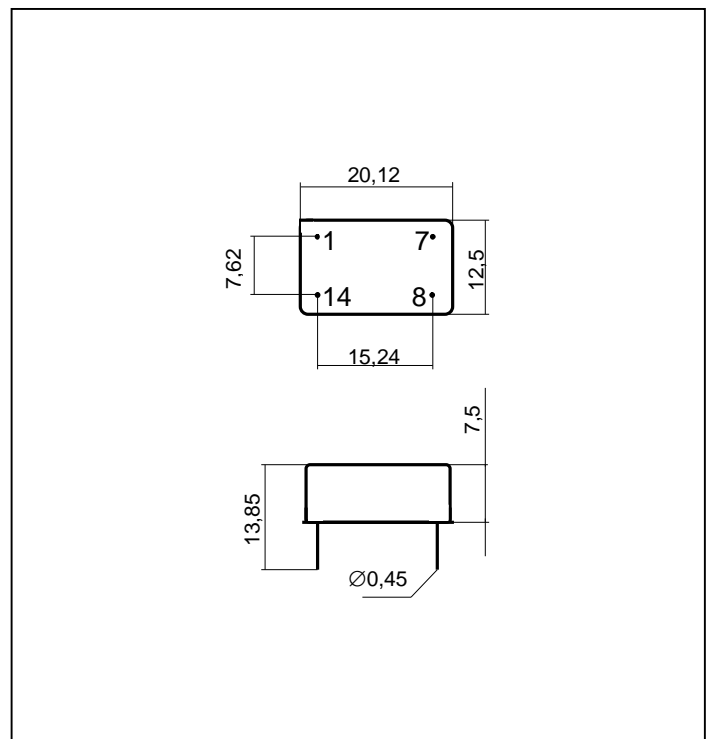
### Characteristics

Type	HC 3306	HC 3307
Frequency range	4 - 30 MHz	
Supply voltage	5V $\pm$ 10%	
Supply current	3 mA	
Frequency stability with temperature		
-30°C to +75°C standard	$\pm$ 2,5 ppm	
-30°C to +90°C <i>see note 1</i>	$\pm$ 1,5 ppm	
Long term stability (1 year)	$\pm$ 1 ppm	
Frequency stability with supply voltage	$\pm$ 0,5 ppm	
Frequency adjustment	internal + V <sub>ctrl</sub>	internal
Frequency adjustment internal	$\pm$ 3 ppm	
Pulling voltage	0,5 V to 4,5 V	
Minimal frequency voltage offset	$\pm$ 5 ppm	
Output voltage	1 V <sub>pp</sub>	
Load	10 kOhm / 15pF	
Waveform	clipped sinus	

### Connections



### Outline drawing



### Note

This oscillator is used in applications, where good temperature stability in wide temperature range and low power consumption is requested. Modification of this type is available.

*Note 1 – This parameter is available on request.*