

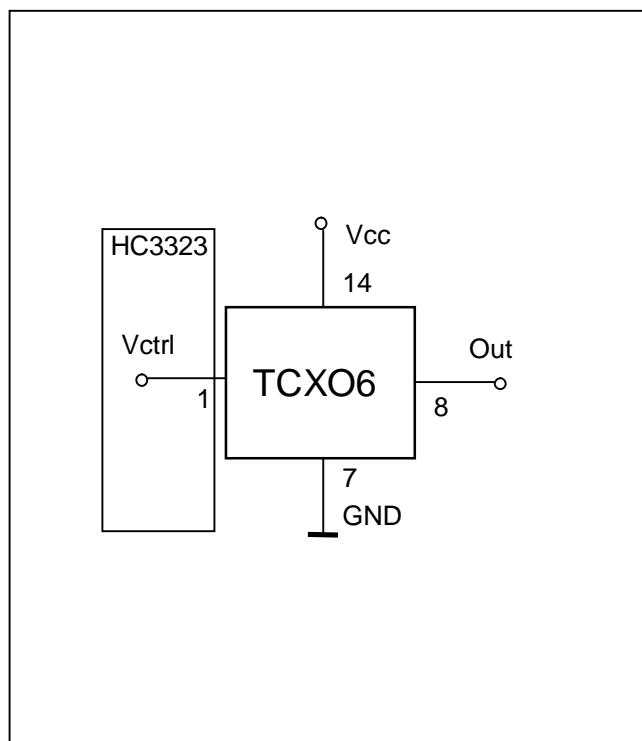
TCX06

TEMPERATURE COMPENSATED CRYSTAL OSCILLATOR

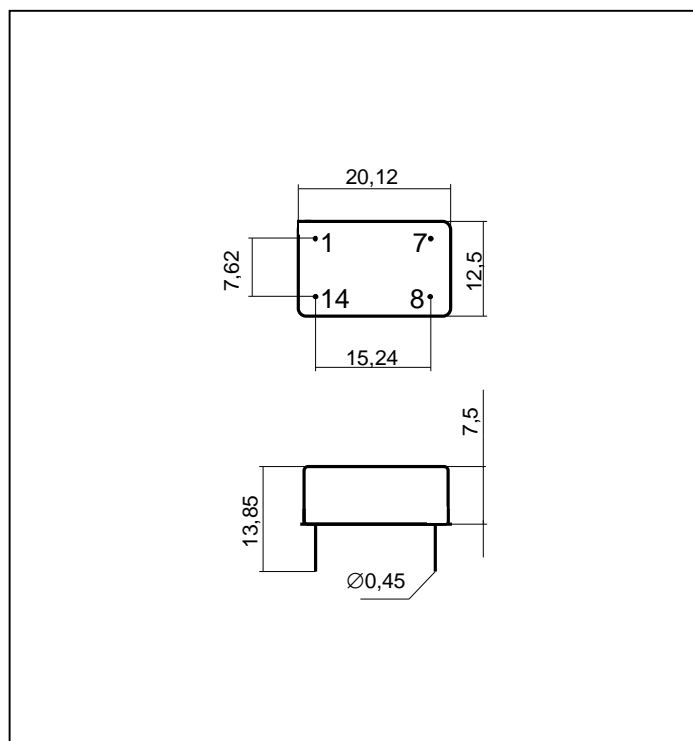


Typ	HC 3323	HC 3324
Frequency range		4 – 40 MHz
Supply voltage		3,3 V \pm 5%
Supply current	3 - 10 mA (according to nominal frequency)	
Frequency stability with temperature -30°C až +75°C		\pm 2,5 ppm
Long term. stability (1 year)		\pm 1 ppm
Frequency stability with supply voltage		\pm 0,5 ppm
Frequency adjustment	internal + V _{ctrl}	internal
Frequency adjustment internal		\pm 3 ppm
Pulling voltage	0,5 V to 2,5 V	
Minimal frequency voltage offset	\pm 5 ppm	
Output signal	3,3 V HCMOS	

Connections



Outline drawing



Note

This oscillator is used in applications, where good temperature stability in wide temperature range and low power consumption is requested. Modification of this type is available.