

TCXO6

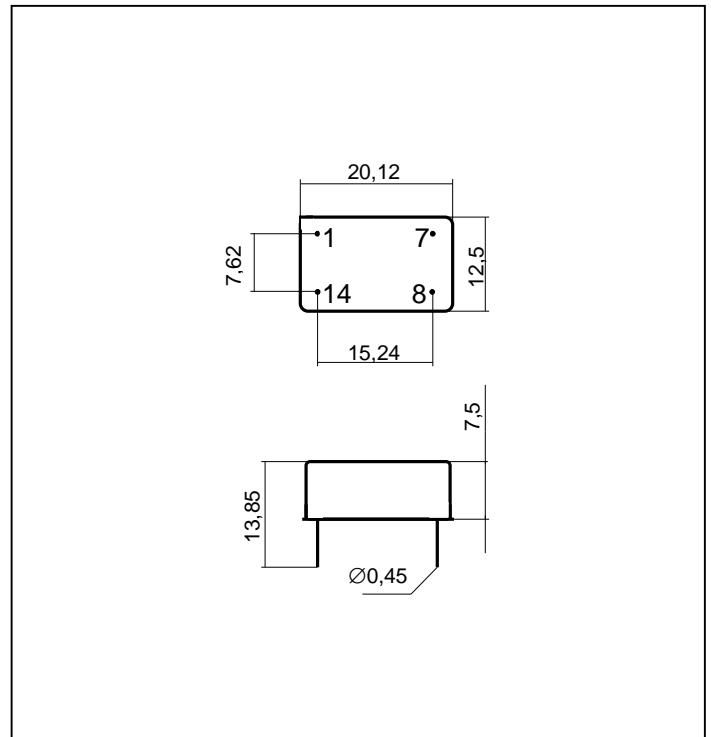
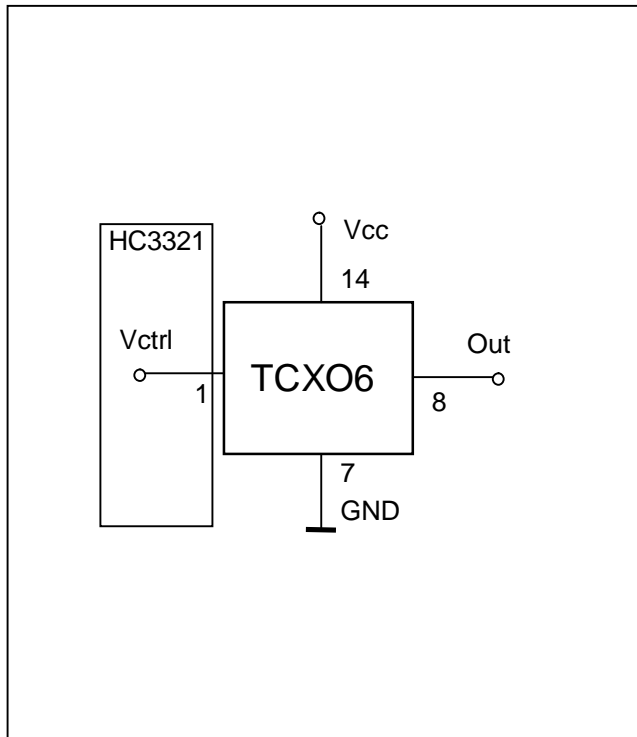
TEMPERATURE COMPENSATED CRYSTAL OSCILLATOR



Typ	HC 3321	HC 3322
Frequency range		4 – 40 MHz
Supply voltage		5V ± 5%
Supply current	5 - 15 mA (according to nominal frequency)	
Frequency stability with temperature -30°C až +75°C		±2,5 ppm
Long term. stability (1year)		±1 ppm
Frequency stability with supply voltage		± 0,5 ppm
Frequency adjustment	internal + V _{ctrl}	internal
Frequency adjustment internal		±3 ppm
Pulling voltage	0,5 V to 4,5 V	
Minimal frequency voltage offset	± 5 ppm	
Output signal	5V HCMOS	

Connections

Outline drawing



Note

This oscillator is used in applications, where good temperature stability in wide temperature range and low power consumption is requested. Modification of this type is available.