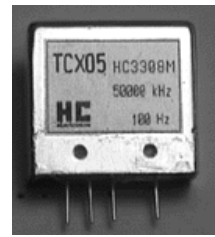


# TCX05

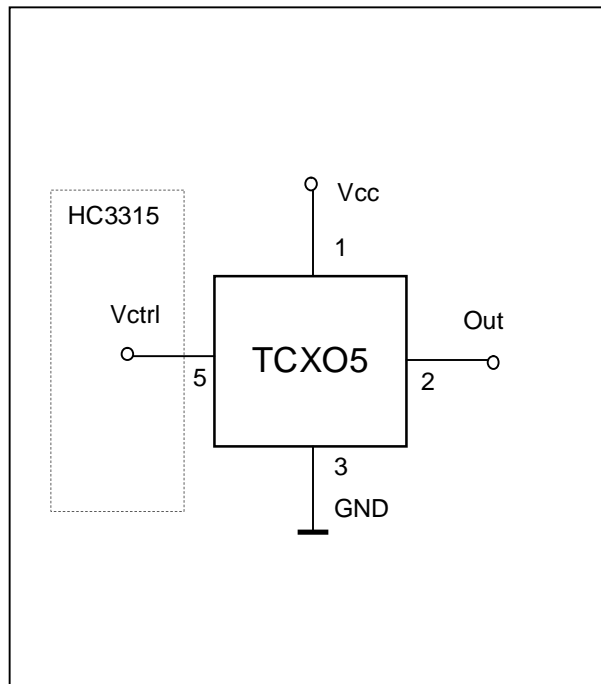
## TEMPERATURE COMPENSATED CRYSTAL OSCILLATOR



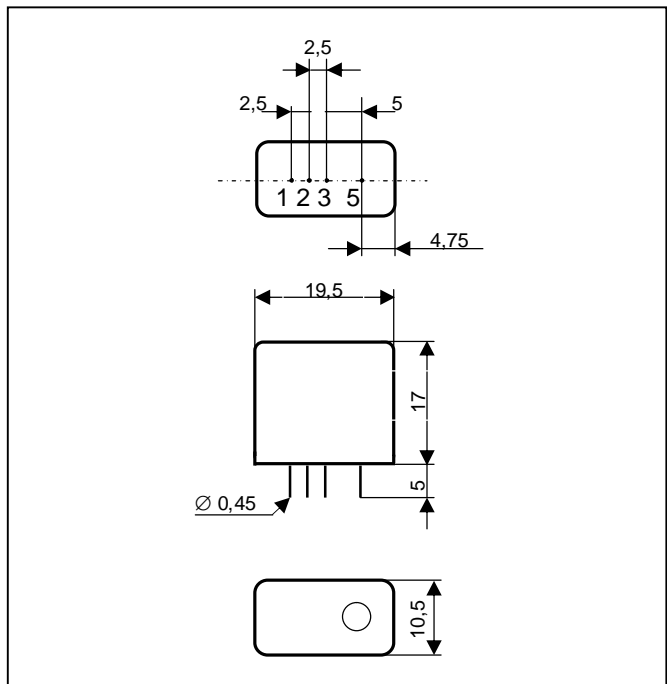
### Characteristics

Type	HC 3308	HC 3314	HC 3315
Frequency range	4 - 135 MHz		4 - 20 MHz
Supply voltage	11V ± 3%		5V ± 10%
Supply current	10 mA		3 mA
Frequency stability with temperature -55°C to +85°C -10°C to +55°C	± 25 ppm		± 5 ppm
Long term stability (1 year)		± 1 ppm	
Frequency stability with supply voltage	± 1 ppm		± 0,5 ppm
Frequency adjustment		internal	internal + V <sub>ctrl</sub>
Frequency adjustment internal	± 25 ppm	± 3 ppm	± 3 ppm
Pulling voltage			0,5 to 4,5V
Minimal frequency voltage offset			± 5 ppm
Output voltage	0 dBm ± 3dB	1 V <sub>pp</sub>	1 V <sub>pp</sub>
Load	50 Ohm	10 kOhm / 15pF	
Waveform		clipped sinus	

### Connections



### Outline drawing



### Note

This oscillator is used in applications, where good temperature stability in wide temperature range and low power consumption is requested. Modification of this type is available.  
HC3308 is used in military applications.