

TCXO3

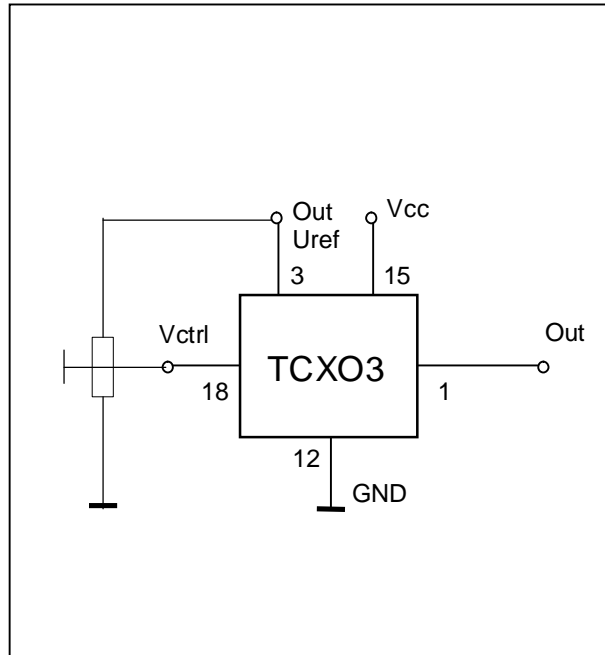
TEMPERATURE COMPENSATED CRYSTAL OSCILLATOR



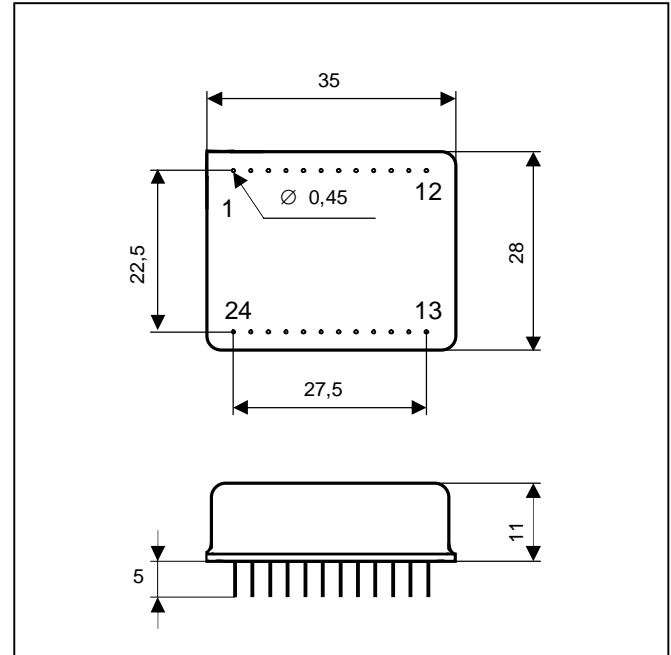
Characteristics

Type	HC3302	HC3303	HC3304	HC3305
Frequency range		4 – 25 MHz		
Supply voltage	12 V \pm 10%	5 V \pm 10%	9 V \pm 10%	9 V \pm 10%
Supply current	5,5 mA	3,6 mA	5,5 mA	5,5 mA
Frequency stability with temperature				
0°C to +40°C	\pm 0,5 ppm			
-20°C to +50°C		\pm 1 ppm		
-25°C to +70°C			\pm 2,5 ppm	
-10°C to +60°C				\pm 1 ppm
Long term stability (1year)		\pm 1 ppm		
Frequency stability with supply voltage		\pm 0,2 ppm		
Pulling voltage	0 to 12 V	0 to 5 V	0 to 9 V	0 to 9 V
Frequency adjustment	\pm 10 ppm	\pm 7 ppm	\pm 10 ppm	\pm 7 ppm
Output voltage	1000 mV _{pp}	1200 mV _{pp}	450 mV _{pp}	1400 mV _{pp}
Load	500 Ohm	500 Ohm	200 Ohm	1000 Ohm
Waveform		clipped sinus		

Connections



Outline drawing



Note

This oscillator is used in applications, where good temperature stability in wide temperature range and low power consumption is requested. Modification of this type is available.

Pins no.: 4,6,7,8,9,13,14 do not connect, pins no.: 10,11,12, 23 are connected to GND internally.