

# TCX02

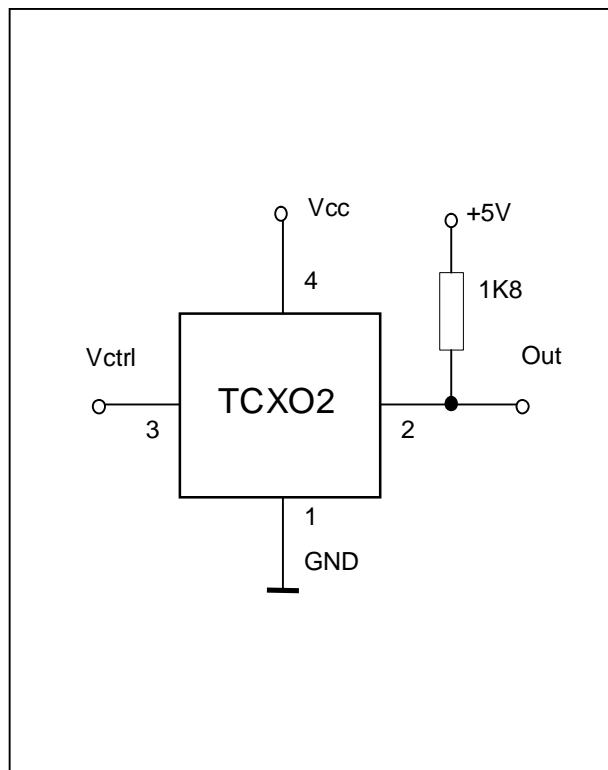
## TEMPERATURE COMPENSATED CRYSTAL OSCILLATOR



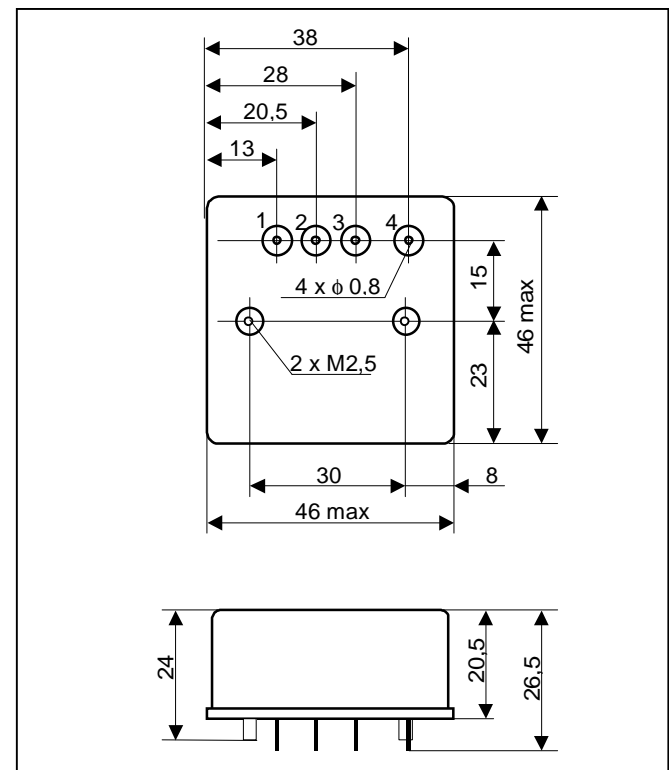
### Characteristics

Type	HC 3300
Frequency range	4 - 25 MHz
Supply voltage	12V $\pm$ 10%
Supply current	10 mA
Frequency stability with temperature -55°C to +85°C	$\pm$ 5 ppm
Long term stability (1year)	$\pm$ 1 ppm
Frequency stability with supply voltage	$\pm$ 0,2 ppm
Pulling voltage	0 to 2 V
Frequency adjustment	- 2 ppm to 5 ppm
Waveform	TTL, open collector

### Connections



### Outline drawing



### Note

This oscillator is used in applications, where good temperature stability in wide temperature range and low power consumption is requested.

Modification of this type is available.