

# TCCX01

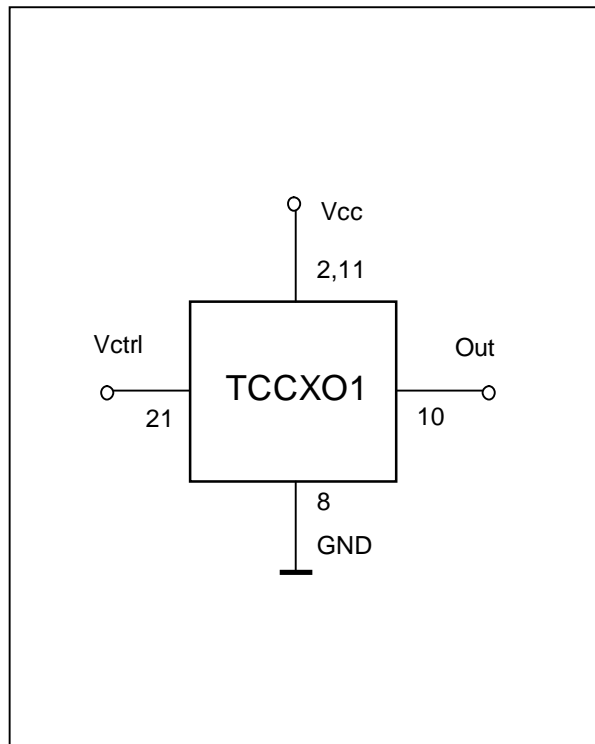
## TEMPERATURE COMPENSATED CRYSTAL OSCILLATOR



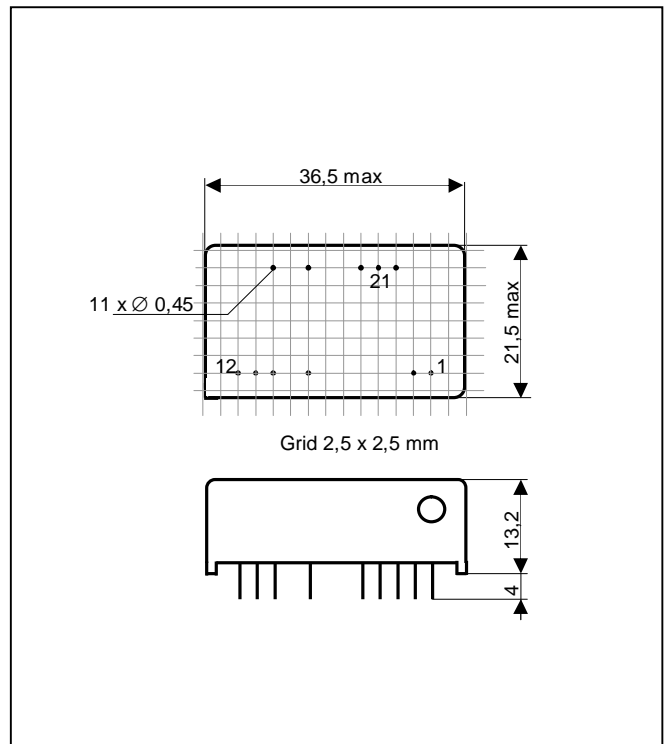
### Characteristics

Type	HC 3200	HC 3201	HC 3202
Frequency range		5 - 25 MHz	
Supply voltage		9V $\pm$ 10%	
Supply current		5,5 mA	
Frequency stability with temperature -10°C to +60°C -25°C to +70°C	$\pm$ 3 ppm	$\pm$ 8 ppm	$\pm$ 10 ppm
Long term stability (1year)		$\pm$ 1 ppm	
Frequency stability with supply voltage		$\pm$ 0,3 ppm	
Pulling voltage		0 to 9 V	
Frequency adjustment		$\pm$ 10 ppm	
Output voltage		400 mV <sub>pp</sub>	
Load		200 Ohm	
Waveform		clipped sinus	

### Connections



### Outline drawing



### Note

This oscillator is used in applications, where good temperature stability in wide temperature range and low power consumption is requested. Modification of this type is available.