

OCX07

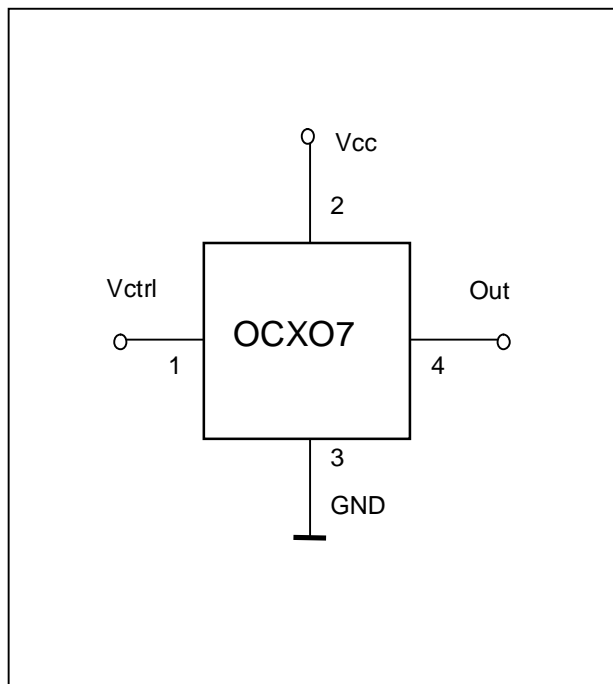
OVEN STABILISED CRYSTAL OSCILLATOR



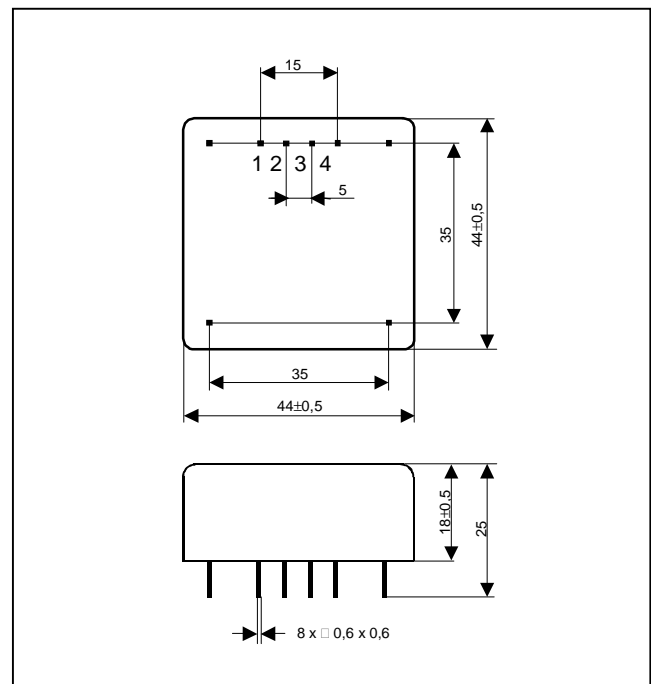
Characteristics

Type	HC 3409
Frequency range	0,1 - 25 MHz
Supply voltage	12V \pm 10%
Supply current at switch on	500 mA
Supply current	130 mA
Frequency stability with temperature -50°C to +80°C	\pm 0,1 ppm
Long term stability (1year)	< 0,35 ppm
Frequency stability with supply voltage	\pm 0,01 ppm
Pulling voltage	0 to 12 V
Frequency adjustment	- 1 ppm to + 1 ppm
Waveform	TTL
H level V_H	2,4 V < V_H < 5V
L level V_L	V_L < 0,4V
Duty cycle	40 – 60%
Warm up time	10 min

Connections



Outline drawing



Note

This oscillator is suitable for applications where high temperature stability in wide temperature range is needed. Modification of this type is available.