

OCX06

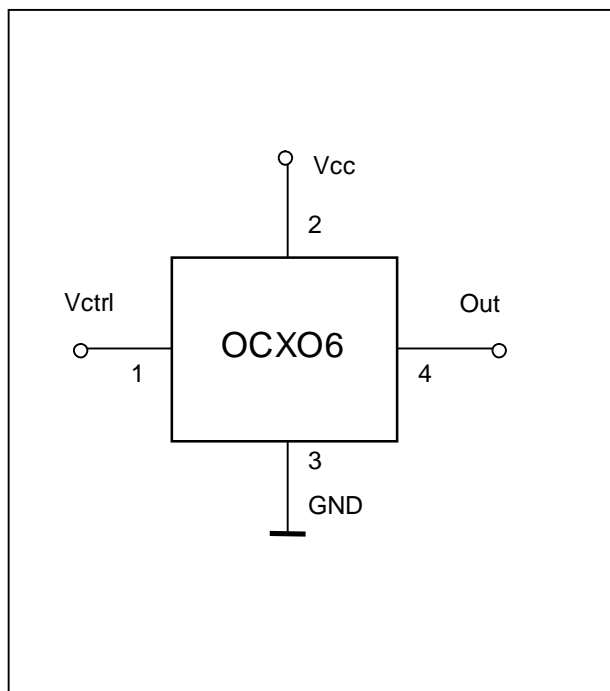
OVEN STABILISED CRYSTAL OSCILLATOR



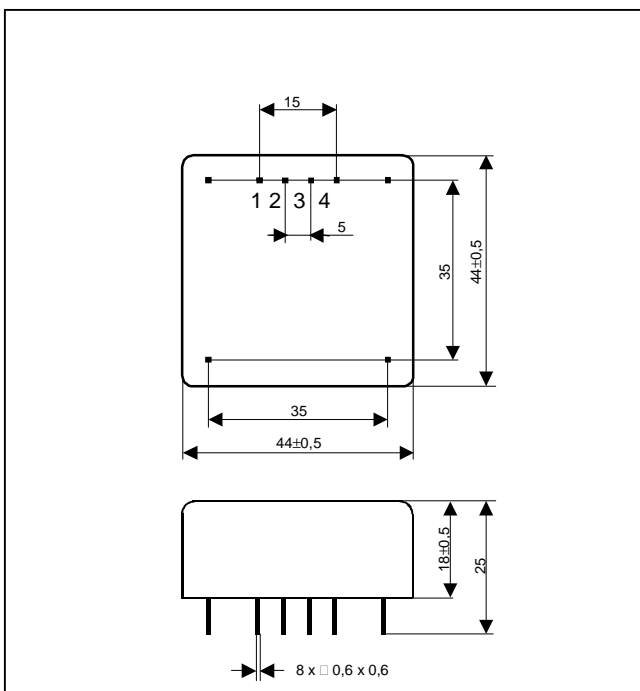
Characteristics

Type	HC 3408
Frequency range	10 - 40 MHz
Supply voltage	12V \pm 10%
Supply current at switch on	500 mA
Supply current	130 mA
Frequency stability with temperature -50°C to +80°C	\pm 0,1 ppm
Long term stability (1 year)	< 0,35 ppm
Frequency stability with supply voltage	\pm 0,01 ppm
Pulling voltage	0 to 12 V
Frequency adjustment	-1 ppm to +1 ppm
Output voltage	450 to 500 mV _{ef}
Waveform	sinus
Load	50 Ohm
Warm up time	5 min

Connections



Outline drawing



Note

This oscillator is suitable for applications where high temperature stability in wide temperature range is needed. Modifications available.