

OCX03

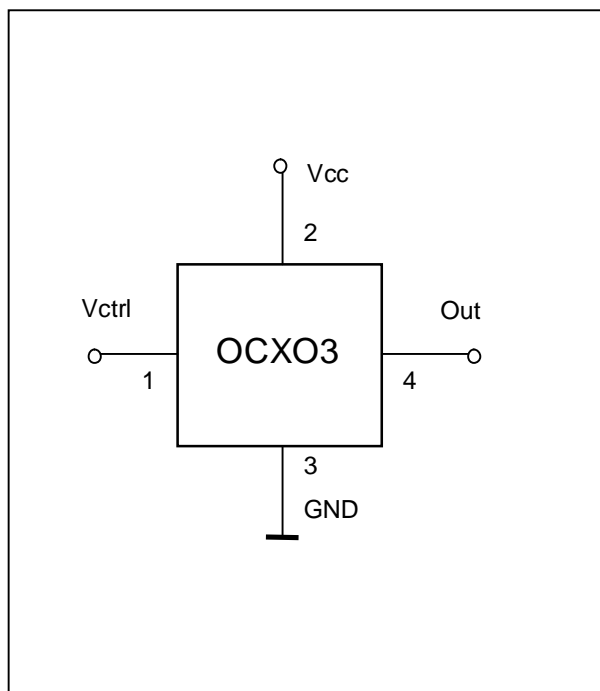
OVEN STABILISED CRYSTAL OSCILLATOR



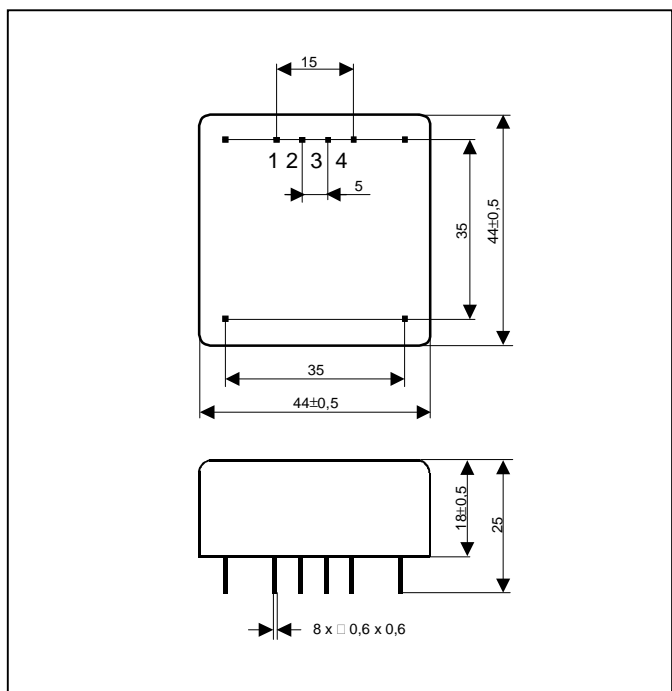
Characteristics

Type	HC 3404
Frequency range	40 - 130 MHz
Supply voltage	12V \pm 10%
Supply current at switch on	500 mA
Supply current	130 mA
Frequency stability with temperature	
-15°C to +50°C	\pm 0,25 ppm
-25°C to +50°C	\pm 0,5 ppm
Long term stability (1 year)	< 1 ppm
Frequency stability with supply voltage	\pm 0,01 ppm
Pulling voltage	0 to 24 V
Frequency adjustment	- 2 ppm to +2 ppm
Output voltage	200 to 400 mV _{ef}
Waveform	sinus
Load	50 Ohm
Second harmonic separation	> - 25 dB
Warm up time	10 min

Connections



Outline drawing



Note

This oscillator is suitable for applications where high temperature stability in wide temperature range is needed. Modifications available.