

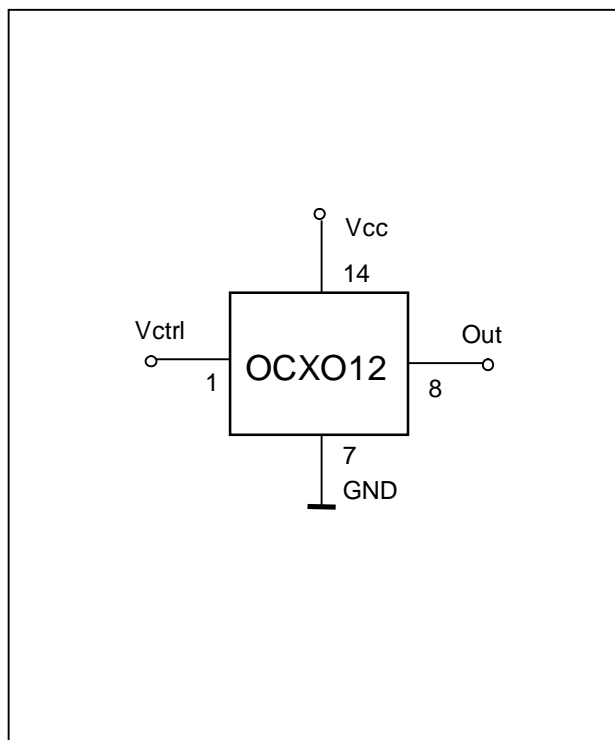
OCXO12

MINIATURE OVEN STABILISED CRYSTAL OSCILLATOR

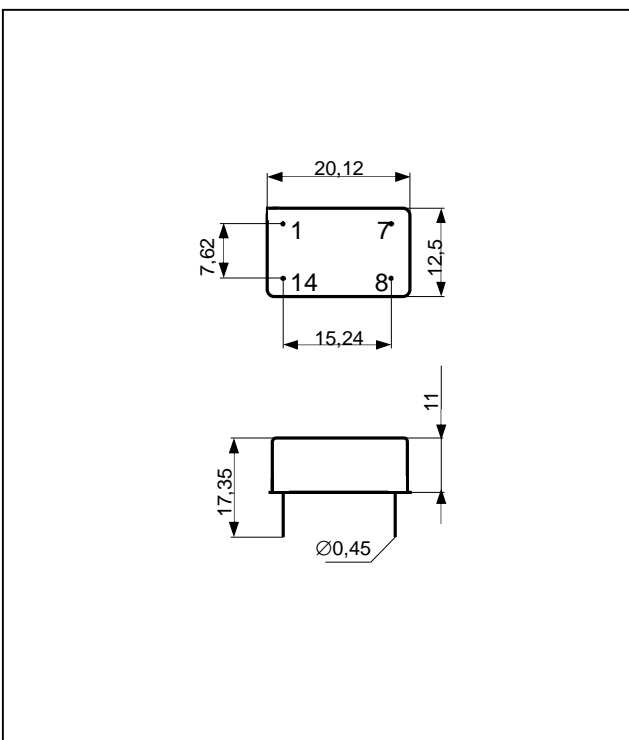
Characteristics

Type	HC 3412
Frequency range	5 - 25 MHz
Supply voltage	5V \pm 10%
Supply current at switch on	300 mA
Supply current	50 mA
Frequency stability with temperature -25°C to +70°C	\pm 0,5 ppm
Long term stability (1 year)	\pm 1 ppm
Frequency stability with supply voltage	\pm 0,05 ppm
Pulling voltage	0 to 5 V
Frequency adjustment	-5 ppm to +5 ppm
Output voltage	min. 2 V _{pp}
Waveform	clipped sinus
Load	10 kOhm / 15pF
Warm up time	1 min

Connections



Outline drawing



Note

Miniature OCXO oscillator is suitable as a replacement of TCXO oscillator where higher frequency stability with temperature is needed.
Modifications available.