

# OCXO11

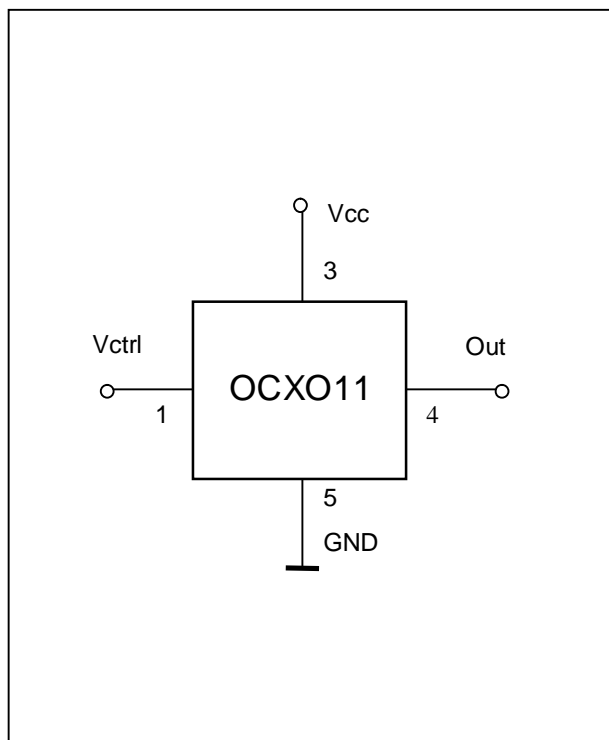
## OVEN STABILISED CRYSTAL OSCILLATOR



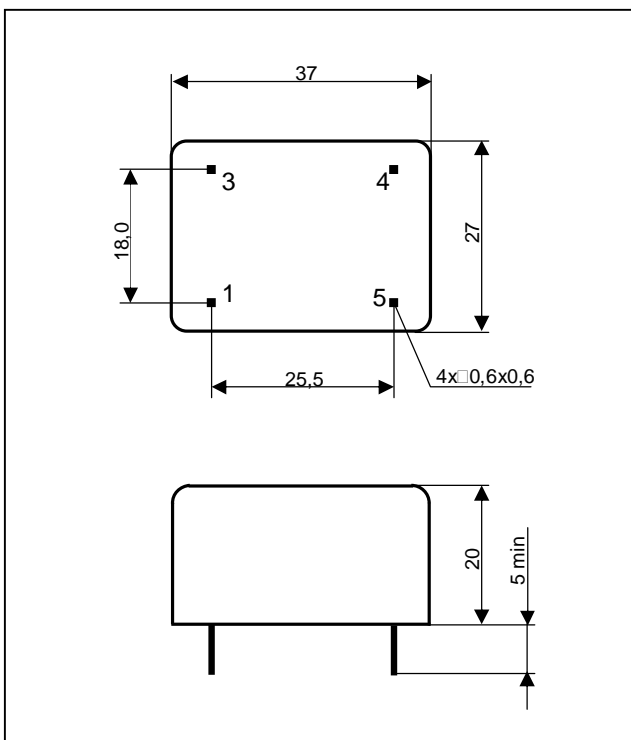
### Characteristics

Type	HC 3411
Frequency range	20 - 130 MHz
Supply voltage	12V $\pm$ 10%
Supply current at switch on	400 mA
Supply current	100 mA
Frequency stability with temperature -20°C to +60°C	$\pm$ 0,3 ppm
Long term stability (1year)	$\pm$ 1 ppm
Frequency stability with supply voltage	$\pm$ 0,01 ppm
Pulling voltage	0 to 24 V
Frequency adjustment	- 2 ppm to + 2 ppm
Output voltage	200 to 400 mV <sub>pp</sub>
Waveform	sinus
Load	50 Ohm
Warm up time	10 min

### Connections



### Outline drawing



### Note

This oscillator is suitable for applications where high temperature stability in wide temperature range is needed. Modifications available.