

OCXO10

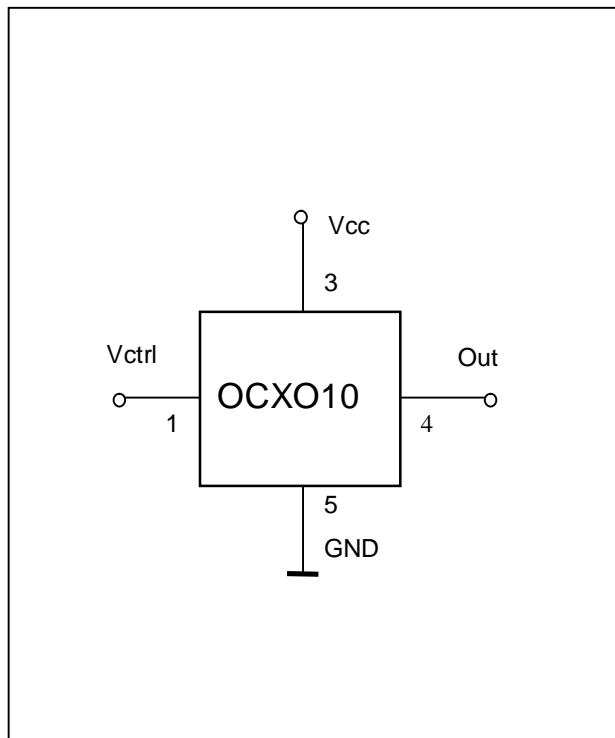
OVEN STABILISED CRYSTAL OSCILLATOR



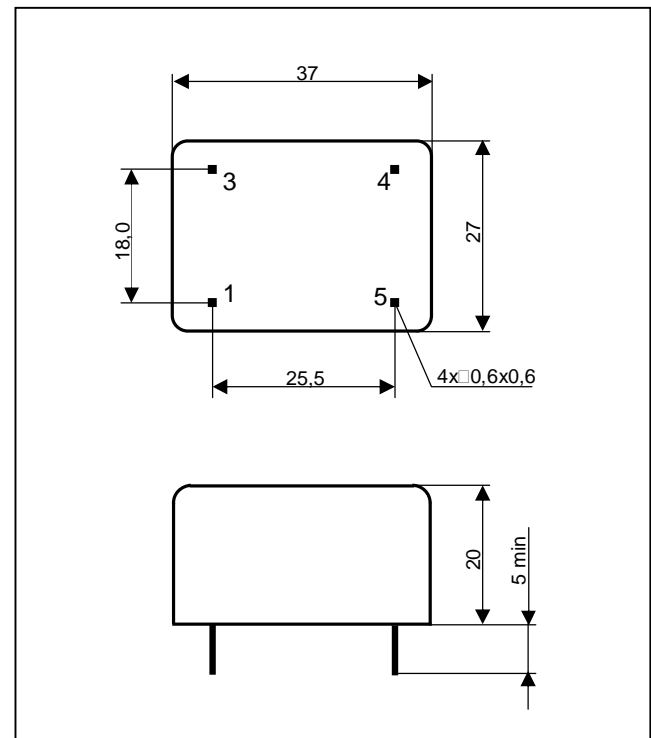
Characteristics

Type	HC 3410
Frequency range	3 - 25 MHz
Supply voltage	12V \pm 10%
Supply current at switch on	400 mA
Supply current	100 mA
Frequency stability with temperature -20°C to +60°C	\pm 0,3 ppm
Long term stability (1year)	\pm 1 ppm
Frequency stability with supply voltage	\pm 0,01 ppm
Pulling voltage	0 to 7 V
Frequency adjustment	-30 ppm to +30ppm
Output voltage	min. 280 mV _{pp}
Waveform	clipped sinus
Load	50 Ohm
Warm up time	10 min

Connections



Outline drawing



Note

This oscillator is suitable for applications where high temperature stability in wide temperature range is needed. Modifications available.