

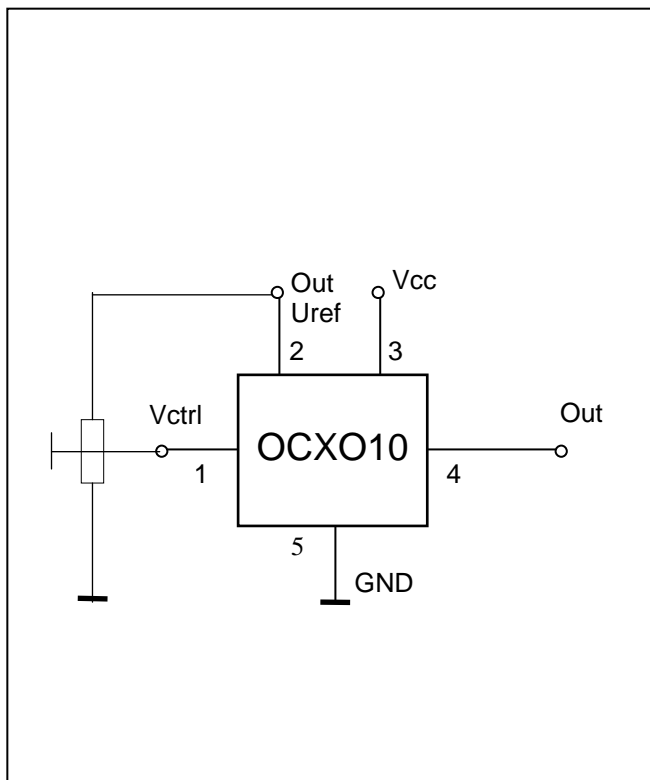
OCXO10

OVEN STABILISED CRYSTAL OSCILLATOR

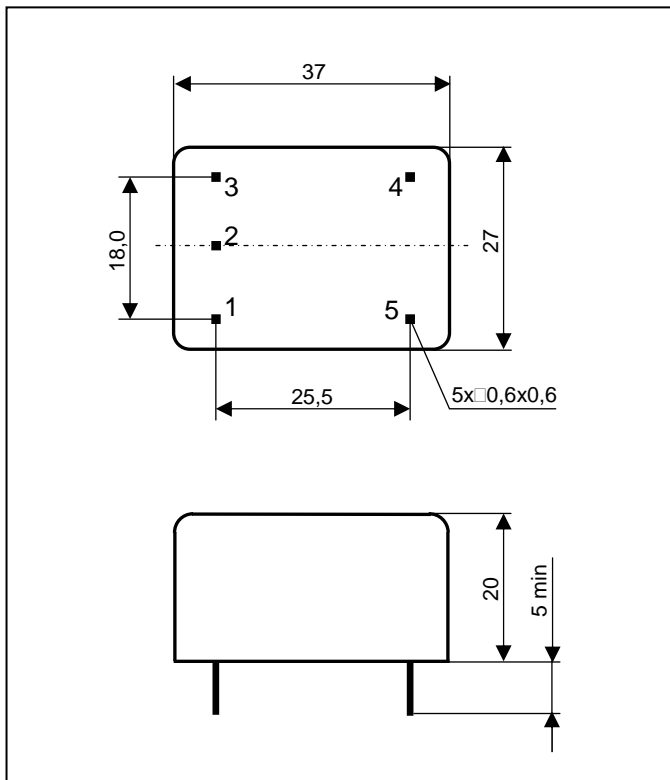
Characteristics

Typ	HC 3417	HC 3418
Frequency range	5 - 40 MHz	
Supply voltage	12 V \pm 5%	
Supply current at switch on	400 mA	
Supply current	110 mA	
Frequency stability with temperature -30°C až +70°C	\pm 0,05 ppm	
Long term stability (1year)	\pm 0,15 ppm	
Frequency stability with supply voltage	\pm 0,01 ppm	
External trimmer for frequency pulling	10 - 47 kOhm	
Frequency pulling	$\geq \pm$ 1 ppm	
Internal reference voltage (pin No. 2)	7 V \pm 5%	
Output signal	sinus	ACMOS 5V
Output level	+7 dBm \pm 2 dB	HCMOS, TTL compatible
Output load	50 Ohm	
Harmonics	\geq -30 dBc	
Warm up time	5 min	
Storage temp. range	-40°C až +90°C	

Connections



Outline drawing



Note

This oscillator is suitable for applications where high temperature stability in wide temperature range is needed. Modifications available.