

OCXO10

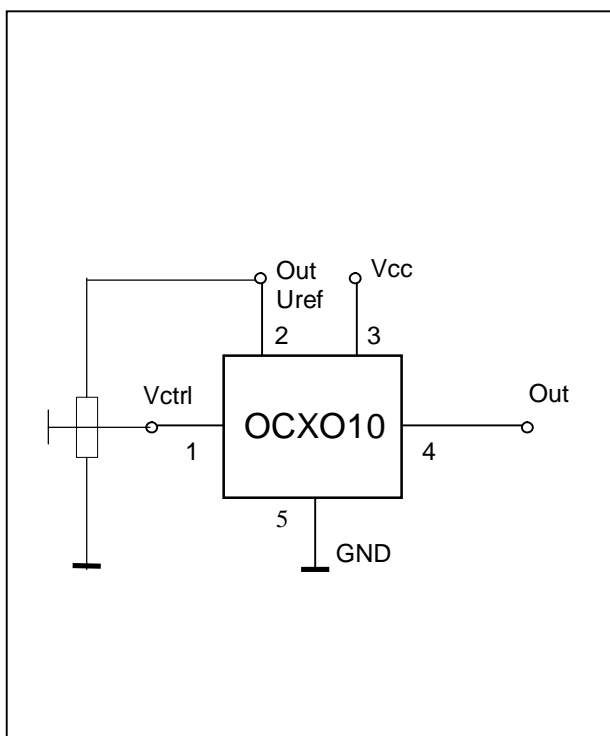
OVEN STABILISED CRYSTAL OSCILLATOR



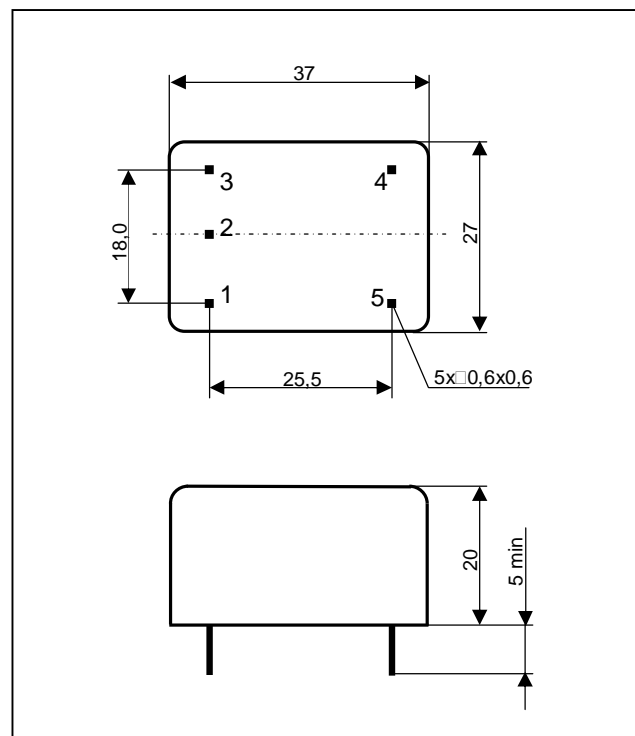
Characteristics

Typ	HC 3414	HC 3415	HC 3416
Frequency range		3 - 25 MHz	
Supply voltage		12 V \pm 10%	
Supply current at switch on		400 mA	
Supply current		100 mA	
Frequency stability with temperature -20°C až +60°C		\pm 0,2 ppm	
Long term stability (1year)		\pm 0,3 ppm	
Frequency stability with supply voltage		\pm 0,01 ppm	
External trimmer for frequency pulling		10 - 47 kOhm	
Frequency pulling		$\geq \pm$ 3 ppm	
Internal reference voltage (pin No. 2)		8 V \pm 5%	
Output signal	HCMOS 5V	HCMOS 3,3V	sinus
Output level			+6 dBm \pm 2 dB
Output load			50 Ohm
harmonics			\geq -20 dBc
Warm up time		5 min	

Základní zapojení



Pouzdro



Note

This oscillator is suitable for applications where high temperature stability in wide temperature range is needed. Modifications available.