

# MXO

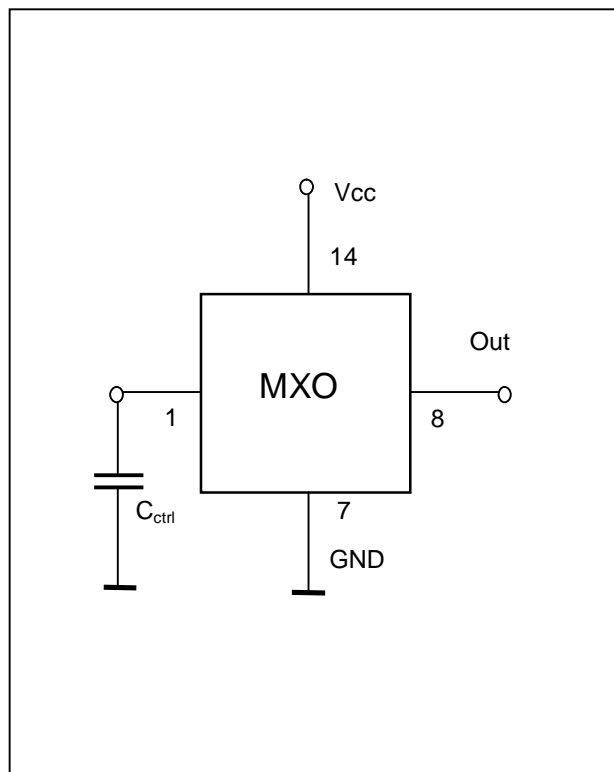
## TEMPERATURE COMPENSATED CRYSTAL OSCILLATOR



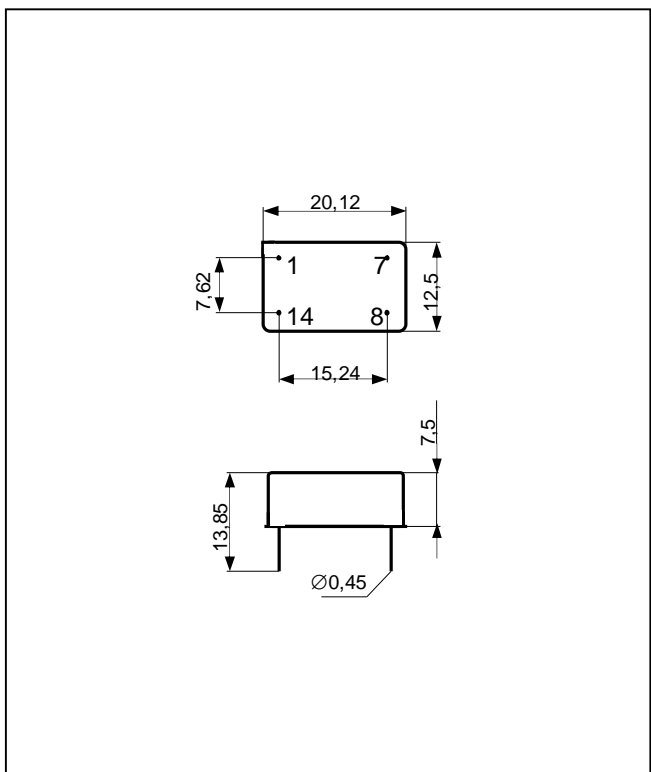
### Characteristics

Type	HC 3530
Frequency range	5 - 25 MHz
Supply voltage	9V $\pm$ 3%
Supply current	2,2 mA
Frequency stability with temperature -25°C to +70°C	$\pm$ 10 ppm
Long term stability (1 year)	$\pm$ 2 ppm
Frequency stability with supply voltage	$\pm$ 0,4 ppm
Frequency adjustment	using C <sub>ctrl</sub> or L <sub>ctrl</sub>
Frequency adjustment	$\pm$ 20 ppm
Output voltage	600 mV <sub>pp</sub>
Load	200 Ohm
Waveform	clipped sinus

### Connections



### Outline drawing



### Note

This oscillator is used in applications, where good temperature stability in wide temperature range and low power consumption is requested.

Modification of this type is available.