

MXO 1

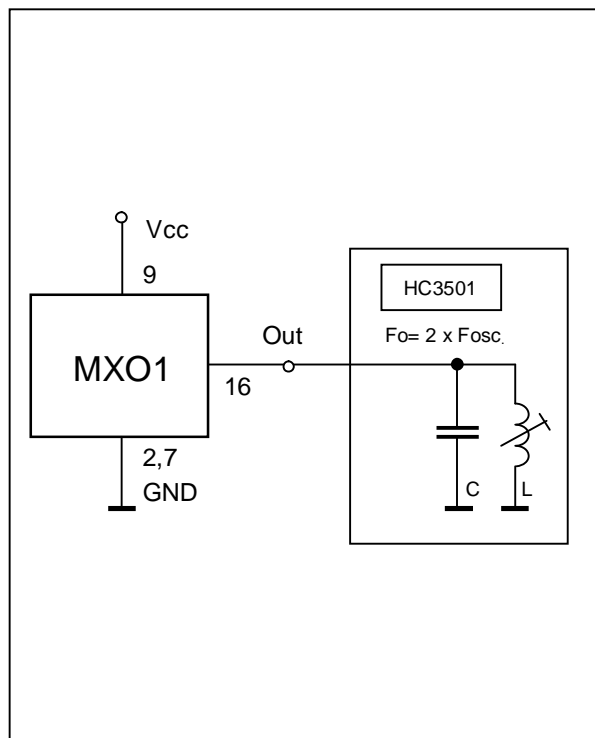
TEMPERATURE COMPENSATED CRYSTAL OSCILLATOR



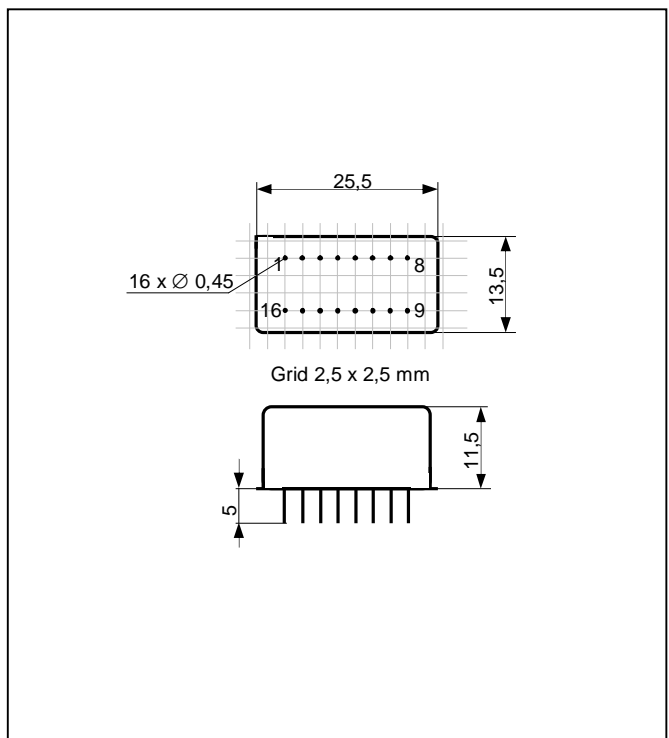
Characteristics

| Type | HC 3500 | HC 3501 |
|---|--------------|-----------------------------------|
| Frequency range | 47 - 120 MHz | 47 - 120 MHz (94 - 240 MHz)* |
| Supply voltage | | 9V ± 3% |
| Supply current | | 3 mA |
| Frequency stability with temperature | | |
| -25°C to +65°C | ± 10 ppm | |
| -15°C to +50°C | | ± 12,5 ppm |
| Long term stability (1 year) | | ± 2 ppm |
| Frequency stability with supply voltage | | ± 1 ppm |
| Output voltage | | 300 mV _{pp} |
| Load | 50 Ohm | see Connections |
| Waveform | | clipped sinus |

Connections



Outline drawing



Note

This oscillator is used in applications, where good temperature stability in wide temperature range and low power consumption is requested.
Modification of this type is available.