

CXO

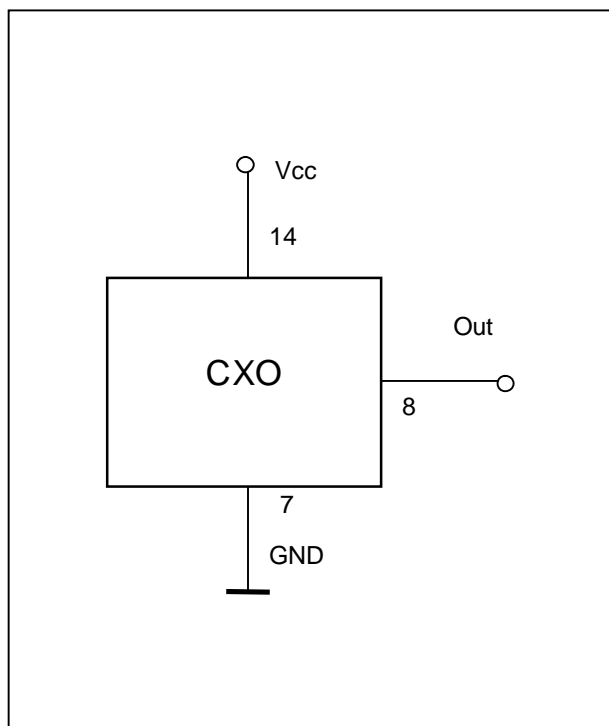
CRYSTAL CLOCK OSCILLATOR



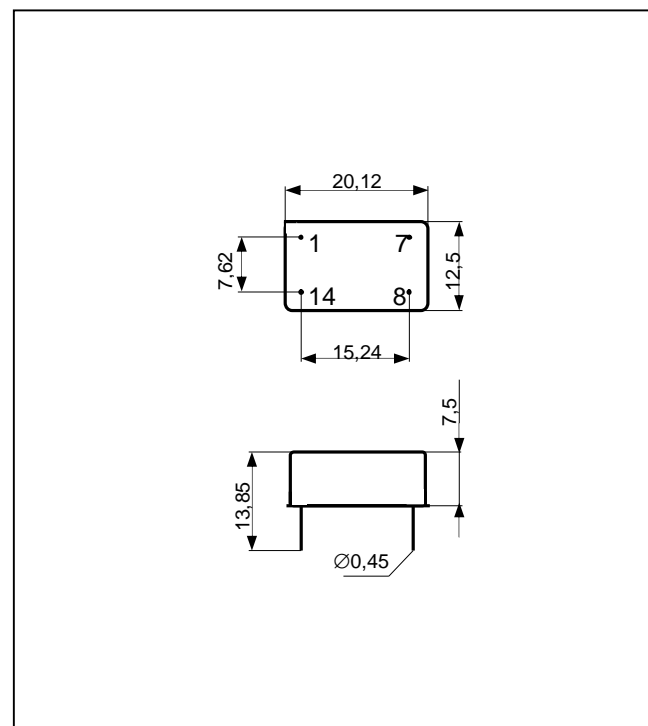
Characteristics

Type	HC 3631	HC 3632	HC 3633	HC 3634	HC 3635	HC 3636	HC 3637	HC 3638	HC 3639
Frequency range	4 - 80 MHz								
Supply voltage	5V \pm 5%								
Supply current	50 mA								
Frequency stability with temperature									
-55°C to +85°C	\pm 1000	\pm 100							
-20°C to +70°C			\pm 1000	\pm 100	\pm 80				
0°C to +70°C						\pm 1000	\pm 100	\pm 50	
-10°C to +60°C									\pm 80
Waveform	TTL								
H level V_H	2,4V < V_H < 5V								
L level V_L	V_L < 0,4V								
Duty cycle	40 - 60 %								

Connections



Outline drawing



Note

This type of oscillator is often used as a stable source of frequency in computers and other digital applications. Modification of this type is available.